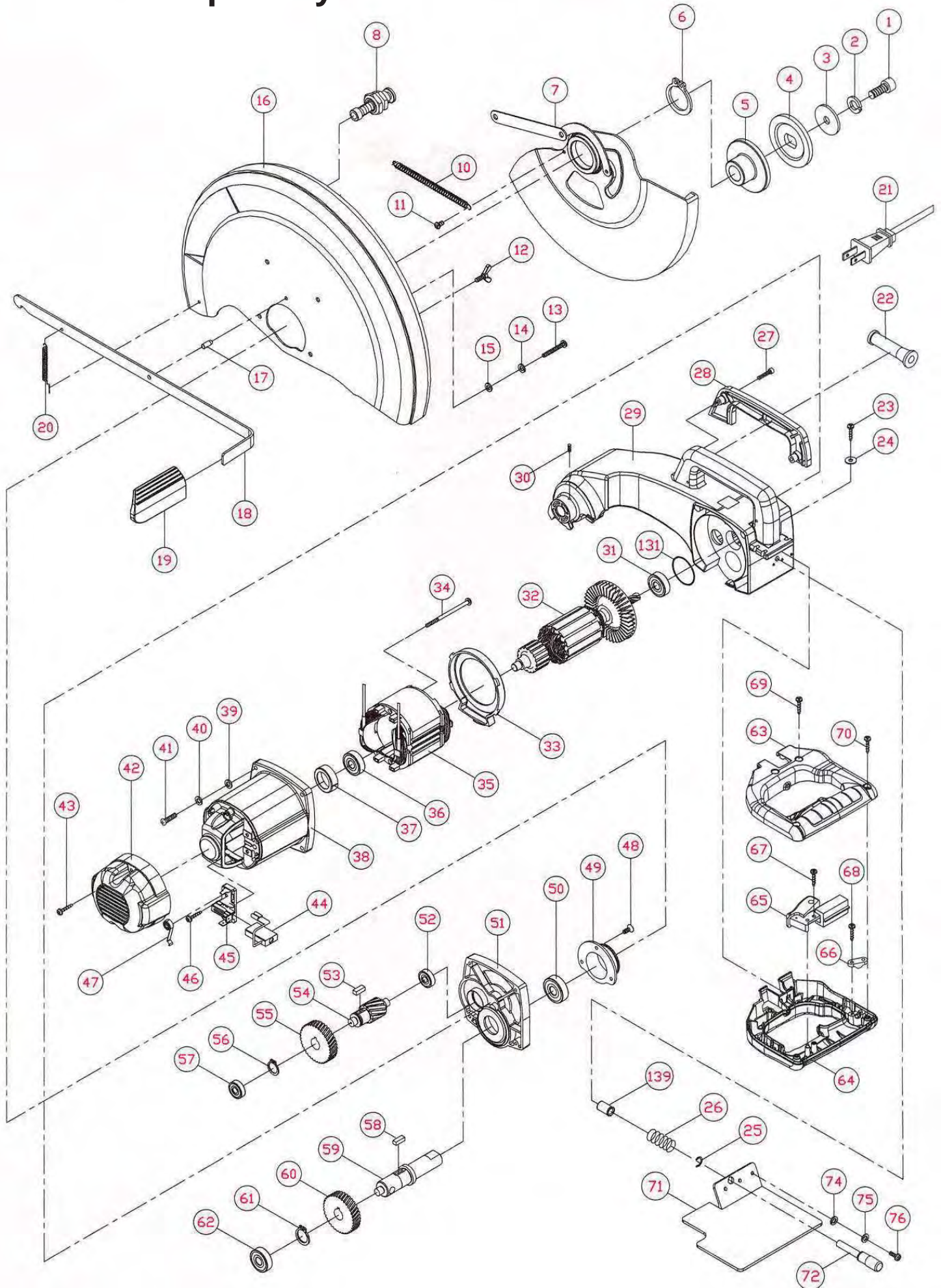
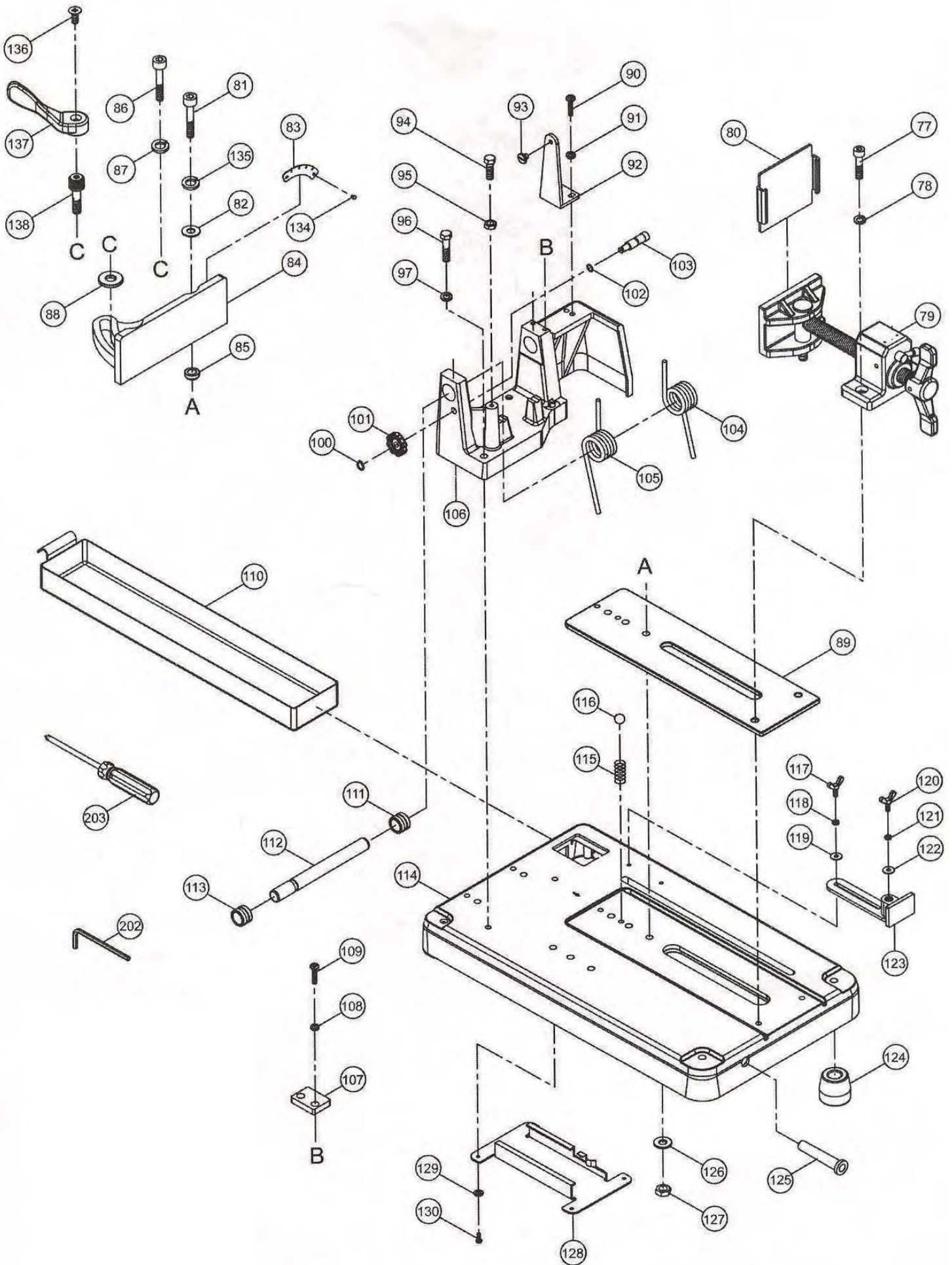


Premium Super Dry Cutter 9435



Premium Super Dry Cutter 9435



Premium Super Dry Cutter 9435

NO	PART NO	Q'TY used	PART NAME
1	2458025	1	Hex, Socket Hd, Screw M10×25
2	2222100	1	Spring Washer Ø10
3	1209069	1	Flat Washer Ø10×Ø40
4	2104004	1	Outer Flange
5	2104085	1	Inner Flange
6	2203420	1	Retaining Ring C-42
7	1501170	1	Safety Cover Set
8	1501177	2	Supporting Bolt
10	2207148	1	Tension Spring
11	2412007-1	1	Pan Hd, Screw M4×7
12	2403008	1	Thumb Screw M5×8
13	2413035	4	Pan Hd, Screw M5×35
14	2222050	4	Spring Washer Ø5
15	2223050	4	Flat Washer Ø5
16	1501163	1	Blade Cover
17	2106580	1	Arm Lock Plate Support Pin
18	1209641	1	Arm Lock Plate
19	1606179	1	Rubber
20	2207146	1	Tension Spring
21	1106002	1	Power Supply Cord With Plug (230V) VDE
	1114012	1	Power Supply Cord With US Plug (110V)
22	1604242	1	Cord Guard (230V)
23	2493020	2	Tapping Screw TS5×20
24	1209352	2	Flat Washer Ø5×Ø14
25	2205043	1	Crescent Ring 5103-43
26	2207151	1	Spring
27	2452016	2	Hex,Socket Hd, Screw M4×16
28	1604351	1	Handle Cover
29	3005179	1	Gear Housing
30	2442010	1	Hex, Socket No Hd, Screw M4×10
31	0602012	1	Ball Bearing 6202-ZZ
32	1804090	1	Armature Assembly (230V)
	1803090	1	Armature Assembly (110V)
33	1201042	1	Fan Guide
34	2493080	2	Tapping Screw TS5×80
35	1002126	1	Field Assembly (230V)
	1001126	1	Field Assembly (110V)
36	0602010	1	Ball Bearing 6200-ZZ
37	1606101 CU	1	Bearing Lining Metall
38	1607103	1	Motor Housing
	1607103 BIS	1	Motor Housing incl. Metallring 1606101 CU
39	2223050	4	Flat Washer Ø5
40	2222050	4	Spring Washer Ø5
41	2413030	4	Pan, Hd, Screw M5×30
42	1604340	1	Rear cover
43	2492018	2	Tapping Screw TS4×18
44	0901038-2	1	Carbon Brush Set (2 Pieces)
45	0903059	2	Carbon Brush Holder
46	2492012	4	Tapping Screw TS4×12
47	0904006	2	Spring
48	2422010	3	Counter Sunk Hd, Screw M4×10
49	2106587	1	Safety Cover Guide
50	0606014	1	Ball Bearing 6204-LLU
51	3004077	1	Front Cover
52	0603010	1	Ball Bearing N6200-RS
53	2202050	1	Square Key
54	1906030	1	Gear Shaft
55	1905079	1	Gear
56	2203180	1	Retaining Ring C-18
57	0603005	1	Ball Bearing N6000-RS
58	2202052	1	Square Key
59	2004122	1	Spindle
60	1905101	1	Spindle Gear
61	2203210	1	Retaining Ring C-21
62	0603010	1	Ball Bearing N6200-RS
63/64	1601048-1S	1	Switch Handle Set (R/L)
65	0704097	1	Switch
66	1604018	1	Strain Relief
67	2492010	1	Tapping Screw TS4×10

Premium Super Dry Cutter 9435

NO	PART NO	Q'TY used	PART NAME
68	2492014	2	Tapping Screw TS4×14
69	2492028	2	Tapping Screw TS4×28
70	2492016	2	Tapping Screw TS4×16
71	1604077	1	Protection Plate
72	2106593	1	Stopper
74	2223040	3	Flat Washer Ø4
75	2222040	3	Spring Washer Ø4
76	2412012	3	Pan Hd, Screw M4×12
77	2456035	2	Hex, Socket Hd, Screw M8×35
78	2222080	2	Spring Washer Ø8
79	1501178	1	Vise Assembly
80	1209471	1	Jig Plate
81	2458060	1	Hex, Socket Hd, Screw M10×60
82	1209284	1	Flat Washer Ø10×Ø22
83	1712185	1	Scale Plate
84	3101058	1	Fence Guide
85	2106579	1	Bushing
86	2458045	1	Hex Socket Hd. Screw M10x45
87	2222100	1	Spring Washer Ø10
88	2106560	1	Flat Washer Ø12×Ø30×4
89	1209623	1	Setting up piece
90	2413020	2	Pan Hd, Screw M5×20
91	2222050	2	Spring Washer Ø5
92	1209499	1	Rock Seat
93	2106589	1	Screw
94	2476045	1	Hex, Hd, Screw M8×45
95	3301008	1	Hex, Nut M8
96	2476050	4	Hex, Hd, Screw M8×50
97	2222080	4	Spring Washer Ø8
100	2203070	1	Retaining Ring C-7
101	1604300-1	1	Stopper Handle
102	1606173	1	O Ring
103	2106583	1	Stopper
104	2207140	1	Torsion Spring (R)
105	2207141	1	Torsion Spring (L)
106	3005197	1	Pivot Block
107	1209645	1	Set Plate
108	2222050	2	Spring Washer Ø5
109	2413015	2	Pan Hd, Screw M5×15
110	1209482	1	Chip Box
111	2106450	1	Axle Sleeve Ø20
112	2106586	1	Swing Shaft
113	2106448	1	Axle Sleeve Ø22
114	3005185	1	Base
115	2207135	2	Spring
116	2211003	2	Steel Ball Ø6
117	2403012	1	Thumb Screw M5×12
118	2222050	1	Spring Washer Ø5
119	1209352	1	Flat Washer Ø5×Ø14
120	2403012	1	Thumb Screw M5×12
121	2222050	1	Spring Washer Ø5
122	1209352	1	Flat Washer Ø5×Ø14
123	1501130	1	Stopper Set
124	1607174	3	Rubber Foot
125	1604236	1	Wrench Guard
126	1209284	1	Flat Washer C10×Ø22
127	3301010	1	Hex, Nut M10
128	1209625	1	Support Plate
129	2222040	1	Spring Washer Ø4
130	2412010	4	Pan Hd, Screw M4×10
131	1606185	1	O Ring Ø1,5xØ35xØ38
134	2212033	2	Rivet
135	2222100	1	Spring Washer Ø10
136	2424012	1	Counter Sunk Hd, Screw M6×12
137	3005113-1	1	Lever
138	2106568	1	Set Bolt M10x70
139	2106594	1	Stopper bushing
STANDARD EQUIPMENT			
202	2603080	1	Hex, Wrench 8mm
203	2609002	1	Screw Driver