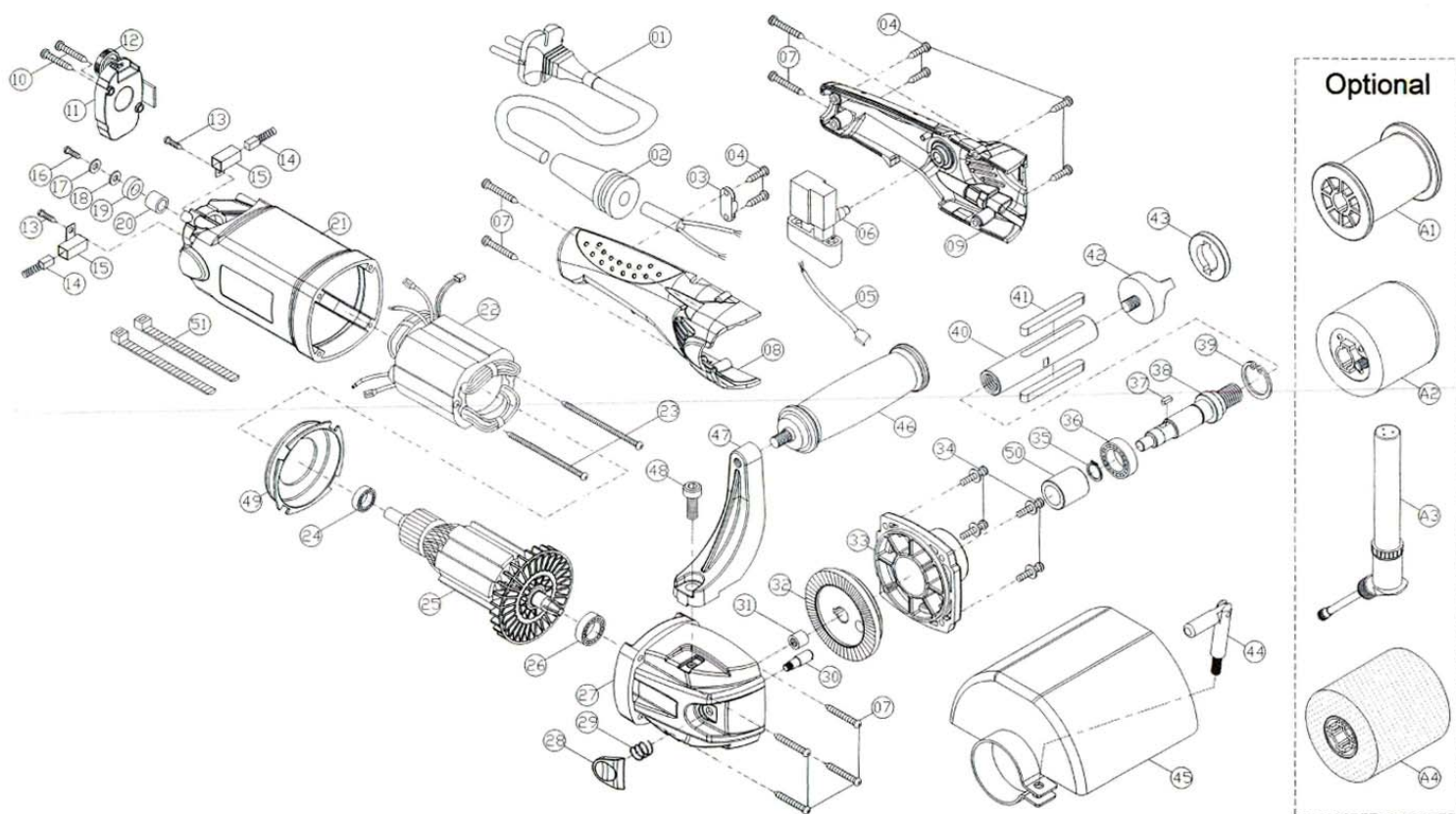


Drum Sander / Polisher 100



Drum Sander / Polisher 100

Art. No. Jepson	PARTS NAME		QTY
WS001	POWER SUPPLY CABLE	0.75 x 2C x 3M	1
WS002	CORD ARMOR		1
WS003	CABLE CLIP		1
WS004	SCREW	M4 x 14	6
WS005	WIRE LEAD		1
WS006	SWITCH		1
WS007	SCREW	M4 x 25	8
WS008	RIGHT HANDLE COVER		1
WS009	LEFT HANDLE COVER		1
WS010	SCREW	M4 x 20	2
WS011	ELECTRONICS UNIT		1
WS012	THUMB WHEEL		1
WS013	BRUSH SCREW	M4 x 8	2
WS014	CARBON BRUSH	SET (2 Pices)	2
WS015	CARBON BRUSH HOLDER		2
WS016	SCREW	M4 x 8	1
WS017	FLAT WASHER	M4	1
WS018	PLASTIC WASHER	φ4 x φ11 x 1	1
WS019	PICKUP MAGNET	φ8 x φ15 x 5	1
WS020	SPACER	φ8 x φ12 x 10.5	1
DP021	MOTOR HOUSING	Drum Sander	1
WS022	STATOR	220 Volt	1
WS023	STATOR SCREW	M4 x 60	2
WS024	BALL BEARING	608-2RS	1
DP025	ARMATURE 220 Volt	Drum Sander 220 Volt	1
WS026	BALL BEARING	6000-2RS	1
DP027	GEAR CASE		1
DP030	SPINDLE LOCK BUTTON	Drum Sander	1
WS029	SPRING	φ0.9 x φ10 x 13.5L x 4	1
WS030	SPINDLE LOCK		1
DP031	NEEDLE BEARING	HK0810	1
DP032	BEVEL GEAR	M1.0 67T	1
DP033	GEAR PLATE		1
DP034	SCREW	M4 x 16	4
DP035	EXTERNAL CIRCLIP	S-15	1
DP036	BALL BEARING	6002-2RS	1
DP037	PARALLEL KEY	5 x 5 x 10	1
DP038	SPINDLE		1
DP039	INTERNAL CIRCLIP	R-32	1
DP040	LONG ARBOR		1
DP041	PARALLEL KEY	6 x 6 x 60	2
DP042	HAND KNOB	M8 x P1.25	1
DP043	ARBOR SPACER DISC		10
DP044	GUARD CLAMP LEVER	M6 x P1.0	1
DP045	GUARD		1
DP046	FRONT HANDLE		1
DP047	HANDLE BRACKET		1
DP048	SOCKET CAP BOLT	M8 x 16	1
DP049	FAN SHROUD		1
DP050	SPACER	φ15 x φ22 x 24.4	1
DP051	STRIP	2,4x80 mm	2
Optional Accessories			
DP0A1	BELT PULLEY (OPTIONAL)		1
DP0A2	INFLATABLE SANDING DRUM (OPTIONAL)		1
DP0A3	AIR PUMP (OPTIONAL)		1
DP0A4	FLAP WHEEL (OPTIONAL)	105 x 100 x 19mm	1