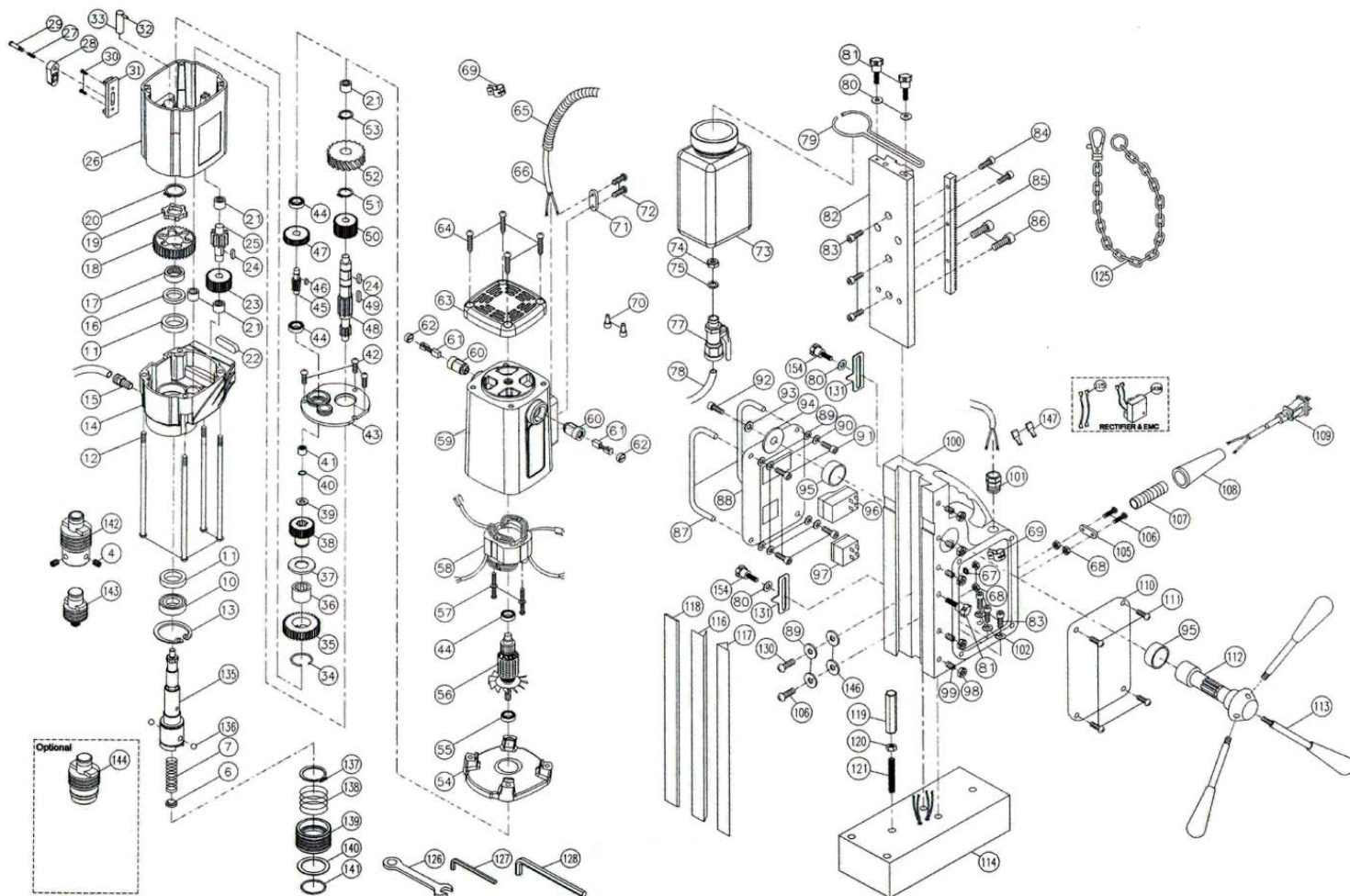


MAGPRO TP2000



MAGPRO TP2000

No.	Art No.	Description		Qty
4.)	MA3501	ARBOR SET SCREW	M8 x 6	2
6.)	MA3509	PILOT PLUNGER		1
7.)	MATP007	PILOT SPRING	ψ1.5 x ψ13.3 x ψ16.3 x 12 x 86mm	1
10.)	MATP010	BALL BEARING	6205 ZZ	1
11.)	MATP011	OIL SEAL	22 x 32 x 7	2
12.)	MATP012	GEAR CASE SCREW	M5 x 170	4
13.)	MATP013	INTERNAL CIRCLIP	R-52	1
14.)	MATP014	LOWER GEAR CASE		1
15.)	MA3516	COOLANT INLET		1
16.)	MATP016	BUSHING		1
17.)	MATP017	NEEDLE BEARING	TA2210	1
18.)	MATP018	TAP REVERSING GEAR	33T	1
19.)	MATP019	TAP SPINDLE ENGAGEMENT GEAR		1
20.)	MA3519	EXTERNAL CIRCLIP	S-17	1
21.)	MATP021	NEEDLE BEARING	HK1010	4
22.)	MATP022	LOCATOR TENON	4 x 4 x 30	1
23.)	MATP023	IDLER GEAR	24T	1
24.)	MA5012	WOODRUFF KEY	5 x 5 x 12	2
25.)	MATP025	IDLER GEAR PINION	12T	1
26.)	MATP026	UPPER GEAR CASE		1
27.)	MA5022	SPRING	ψ1.0 x ψ9 x ψ11 x 4 x 10mm	1
28.)	MA5021	SELECTOR TAB		1
29.)	MATP029	SELECTOR SCREW		1
30.)	MATP030	SCREW	M4 x 8	2
31.)	MATP031	SELECTOR BASE		1
32.)	MATP032	SHIFT PIN		1
33.)	MATP033	SELECTOR FORK		1
34.)	MATP034	SNAP RING	ψ1.5 x ψ19	1
35.)	MATP035	TAP FORWARD GEAR	42T	1
36.)	MATP036	NEEDLE BEARING	TA2515	1
37.)	MATP037	SHIFT COLLAR	ψ25 x ψ40 x 1.5	1
38.)	MATP038	DRILLING SPINDLE GEAR	27T	1
39.)	MATP039	THRUST SHIM		1
40.)	MATP040	EXTERNAL CIRCLIP	S-8	1
41.)	MATP041	NEEDLE BEARING	HK0810	1
42.)	MA3538	SCREW	M5 x 12	3
43.)	MATP043	SECONDARY GEAR PLATE		1
44.)	MA3522	BALL BEARING	608 ZZ	3
45.)	MATP045	INPUT GEAR SPINDLE	8T	1
46.)	MATP046	WOODRUFF KEY	4 x 4 x 10	1
47.)	MATP047	INPUT GEAR	50T	1
48.)	MATP048	LAY SHAFT	11T	1
49.)	MATP049	WOODRUFF KEY	5 x 5 x 15	1
50.)	MATP050	DRILLING INTERMEDIATE GEAR	26T	1
51.)	MATP051	EXTERNAL CIRCLIP	S-16	1
52.)	MATP052	LAY GEAR	52T	1
53.)	MATP053	EXTERNAL CIRCLIP	S-14	1
54.)	MATP054	MAIN GEAR PLATE		1
55.)	MA3527	BALL BEARING	609-2RS	1
56.)	MA3528	ARMATURE		1
57.)	MA3514	STATOR SCREW	M5 x 60	2
58.)	MA3529	STATOR 230V		1

MAGPRO TP2000

		STATOR 110V		1
59.)	MATP059	MOTOR HOUSING		1
60.)	MA3531	BRUSH HOLDER	7 x 11	2
61.)	MA3532	CARBON BRUSH SET	7 x 11	1
62.)	MA3533	BRUSH CAP	7 x 11	2
63.)	MATP063	MOTOR TAIL COVER		1
64.)	MATP064	SCREW	M5 x 12	4
65.)	MATP065	CABLE PROTECTOR	35cm	1
66.)	MA3535	MOTOR CABLE	1.25 x 2C x 65cm	1
67.)	MA3576	SUN WASHER		1
68.)	MA3577	NUT	M4	7
69.)	MA3579	CABLE CLAMP		2
70.)	MATP070	WIRE CONNECTOR	C4	2
71.)	MA3537	CABLE CLIP	LY-13DB	1
72.)	MA3538	SCREW	M4 x 14	2
73.)	MA3547	COOLANT TANK		1
74.)	MA3548	BRASS NUT		1
75.)	MA3549	FLAT WASHER	10*23*2	1
77.)	MA3551	COOLANT VALVE		1
78.)	MA3552	COOLANT TUBE	30cm	1
79.)	MA3546	COOLANT TANK BRACKET		1
80.)	MA3545	FLAT WASHER	M5	3
81.)	MA3544	THUMB SCREW	M5 x 16	3
82.)	MATP082	SLIDE PLATE	290.5L	1
83.)	MA3554	CAP BOLT	M6 x 20	5
84.)	MATP084	CAP BOLT	M5 x 16	2
85.)	MA3555	GEAR RACK		1
86.)	MA3556	CAP BOLT	M8 x 16	2
87.)	MATP087	GUARD BAR		2
88.)	MATP088	SWITCH PLATE		1
89.)	MA35101	FLAT WASHER	M4	4
90.)	MA35100	SPRING WASHER	M4	4
91.)	MA3599	CAP BOLT	M4 x 16	4
92.)	MA3561	CAP BOLT	M6 x 16	1
93.)	MA3562	FLAT WASHER	ψ6 x ψ25 x 1	1
94.)	MA3563	FLAT WASHER	ψ6 x ψ40 x 3	1
95.)	MA3564	BUSHING	ψ32 x ψ28 x 12	2
96.)	MA3559	MOTOR SWITCH 230V		1
		MOTOR SWITCH 110V		1
97.)	MA3560	MAGNET SWITCH		1
98.)	MA3569	NUT	M5	5
99.)	MKA3568	SET SCREW	M5 x 20	5
100.)	MATP100	STAND BODY		1
101.)	MA3582	CABLE GLAND		1
102.)	MA3578	SPRING WASHER	M6	3
103.)	MA3581	RECTIFIER		1
104.)	MA3587	N/A		2
105.)	MA3583	CORD CLIP	LY-115	1
106.)	MATP106	SCREW	M4 x 25	6
107.)	MA3584	STRAIN RELIEF		1
108.)	MA3585	CORD ARMOR		1
109.)	MA3586	POWER SUPPLY CABLE	1.0 x 3C x 2.5M	1
110.)	MATP110	SIDE COVER		1
111.)	MA3557	SCREW	M4 x 8	4

MAGPRO TP2000

112.)	MA3565	CRANK SPINDLE		1
113.)	MA3566	CRANK HANDLE		3
114.)	MA3573	MAGNET	164 x 80 x 48	1
115.)	MATP115	WIRE LEAD	18AWG x 12cm + 9764	4
116.)	MA3570	GIB STRIP-LEFT	260L	1
117.)	MA3571	GIB STRIP-RIGHT	260L	1
118.)	MA3572	GIB TENSIONER	260 x 11 x 2.3	1
119.)	MATP119	TRAVEL LIMITER STOP	M8	1
120.)	MATP120	LIMITER LOCK NUT	M8	1
121.)	MATP121	LIMITER STUD	M8 x 60	1
125.)	MA3592	SAFETY CHAIN		1
126.)	MA3593	WRENCH M8	M8	1
127.)	MA3594	HEX WRENCH M2.5	M2.5	1
128.)	MA3595	HEX WRENCH M4	M4	1
129.)	MATP129	N/A		
130.)	MA3575	SCREW	M4 x 12	2
131.)	MATP131	POINTER		1
132.)	MATP132	THUMB SCREW	M5 x 16	1
133.)	MATP133	OVERLOAD PROTECTION (OPTIONAL) 230V		1
		OVERLOAD PROTECTION (OPTIONAL) 110V		1
135.)	MATP135	SPINDLE		1
136.)	MATP136	BALL	φ8	2
137.)	MATP137	EXTERNAL CIRCLIP	S-35	1
138.)	MATP138	SPRING	φ2x φ41 x 4T x 25L	1
139.)	MATP139	QUICK-RELEASE COLLAR		1
140.)	MATP140	RING	φ35 x φ46.8 x 1	1
141.)	MATP141	RETAINING RING		1
142.)	MATP142	ANNULAR CUTTER ARBOR		1
143.)	MATP143	DRILL CHUCK ARBOR	1/2"-20	1
143-1)	MATP143-1	1/2" Twist Drill Chuck + KEY		1
144.)	MATP144	TAP COLLET ARBOR		1
-	MATP145D12	TAP COLLET ARBOR M12 DIN	DIN376-M12	1
-	MATP145D14	TAP COLLET ARBOR M14 DIN	DIN376-M14	1
-	MATP145D16	TAP COLLET ARBOR M16 DIN	DIN376-M16	1
-	MATP145D18	TAP COLLET ARBOR M18 DIN/JIS	DIN376-JIS-M18	1
-	MATP145D20	TAP COLLET ARBOR M20 DIN	DIN376-M20	1
-	MATP145J12	TAP COLLET ARBOR M12 JIS	JIS-M12	1
-	MATP145J14	TAP COLLET ARBOR M14 JIS	JIS-M14	1
-	MATP145J16	TAP COLLET ARBOR M16 JIS	JIS-M16	1
-	MATP145J20	TAP COLLET ARBOR M20 JIS	JIS-M20	1
146.)	MA351S127	RUBBER WASHER	ψ4 x ψ11 x 1	2